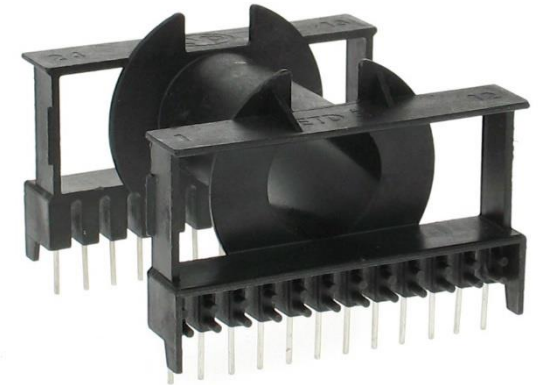
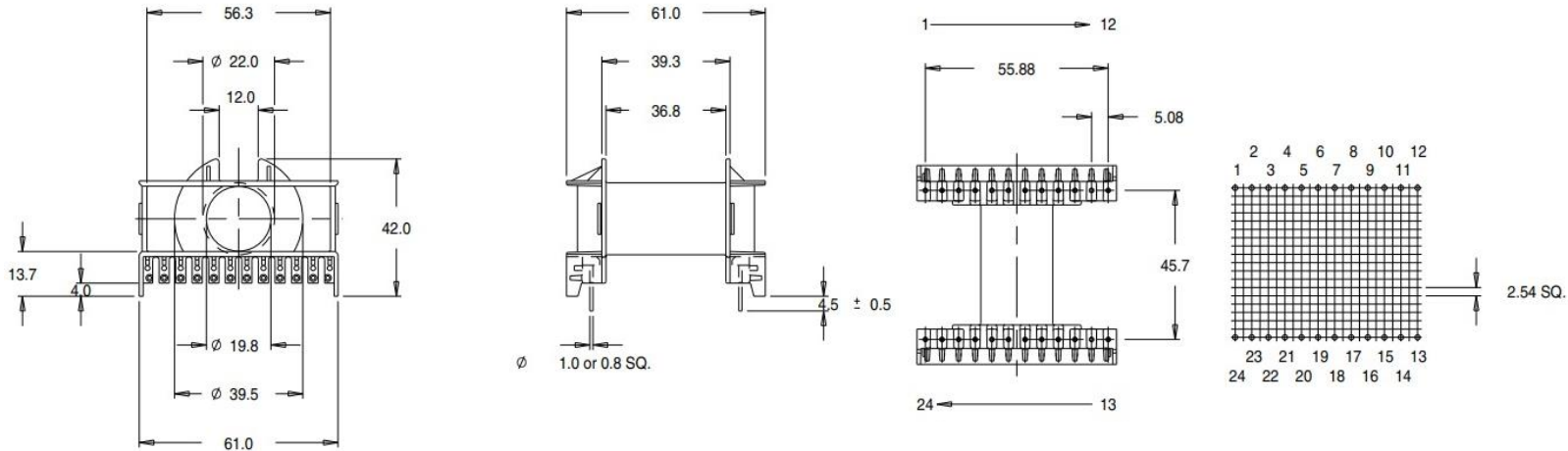




FD7040



Part Number FD7040	Part Weight (g) 23	Carton Quantity 120	Pinning Configuration TPB-RD-100 1:2:3:4:5:6:7:8:9:10:11:12: 13:14:15:16:17:18:19:20:21:22:23:24:
Order Code FD7040FR3BLK0001	Material Rynite FR530L	Carton Size (mm) 465x315x260	Pin Lenth (mm) (from standoff) 4.5
Part Description Bobbin ETD54 H 24P UL94V0	Material Datasheets	Related Items TCL-54	Terminal Pin Material Phosphor Bronze
Product Range ETD Range	UL Rating UL94V0	3D CAD Image	Compliance information

MILES - PLATTS

+44 (0)116 264 3850

milesplatts.co.uk

enquiries@milesplatts.co.uk